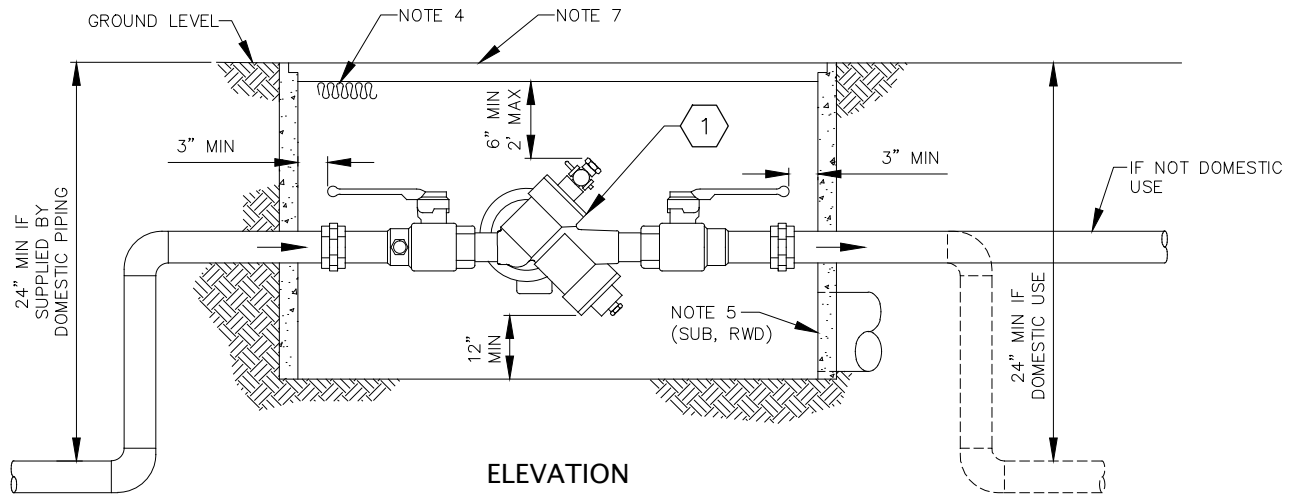


PLAN



ELEVATION

1 APPROVED REDUCED PRESSURE BACKFLOW ASSEMBLY INCLUDING FACTORY SUPPLIED SHUT-OFF VALVES: AS LISTED ON THE CURRENTLY APPROVED BACKFLOW PREVENTION ASSEMBLIES LIST SPECIFIED BY OREGON HEALTH AUTHORITY.

PLUMBING FROM THE CONNECTION TO POTABLE WATER SUPPLY LINE TO THE ASSEMBLY REQUIRES A PLUMBING PERMIT AND MUST BE INSPECTED BEFORE COVERING.

AN INITIAL TEST PERFORMED BY A STATE CERTIFIED BACKFLOW ASSEMBLY TESTER IS REQUIRED AT THE TIME OF INSTALLATION, AT LEAST ANNUALLY THEREAFTER OR MORE FREQUENTLY AS REQUIRED BY THE WATER SUPPLIER.

COPIES OF COMPLETED TEST REPORT SHALL BE FURNISHED TO:
 THE OWNER
 THE WATER SUPPLIER, EWEB
 THE BUILDING OFFICIAL

CITY OF EUGENE BUILDING AND PERMITS REVIEW - SR

FUNC	BY	CHK	APP
DES	SLW		SLW
DWN	RS		SLW
SPONSOR		SLW	
DATE: 01/01/95			

WATER STANDARDS
 REGIONAL DESIGN STANDARDS
 REDUCED PRESSURE BACKFLOW ASSEMBLY
 1/2" - 2" BELOW GRADE

EUGENE WATER & ELECTRIC BOARD - EUGENE, OREGON

SCALE: NTS

REV DATE	BY	CHK	APP
05/21/09	ESR		

REMOVED SUB & RWD

DWG NO	REV
WD6-6.6100	4
1 of 2	

NOTES:

1. REDUCED PRESSURE BACKFLOW ASSEMBLY SHALL BE INSTALLED IN A LOCATION APPROVED BY EWEB, AND SHALL BE ABOVE THE 100-YEAR FLOOD PLAIN.
2. REDUCED PRESSURE BACKFLOW ASSEMBLY (RP) SHALL BE INSTALLED HORIZONTAL AND PLUMB, UNLESS SPECIFICALLY APPROVED FOR VERTICAL INSTALLATION AND,
 - a. IS RECOMMENDED BY THE MANUFACTURER FOR VERTICAL INSTALLATION,
 - b. IS INSTALLED VERTICAL AND PLUMB AND,
 - c. APPROVED IN A VERTICAL ORIENTATION AS LISTED ON THE CURRENTLY APPROVED BACKFLOW PREVENTION ASSEMBLIES LIST SPECIFIED BY OREGON HEALTH AUTHORITY.
3. ALL CLEARANCES PICTURED APPLY TO OUTSIDE, IN BUILDING, AND VAULT INSTALLATIONS.
4. RP SHALL BE PROTECTED FROM FREEZING.
 - a. A 2" LAYER OF SPRAY-FOAM INSULATION EVENLY COATING INSIDE THE IRRIGATION BOX LID IS SUFFICIENT.
5. RP INSTALLATION BELOW GROUND SHALL INCLUDE A BORE-SIGHTED DRAIN TO DAYLIGHT CAPABLE OF DRAINING A FULL RELIEF VALVE DISCHARGE PER OPSC TABLE 7-4 (LENGTH OF DRAIN TO BE APPROVED BY EWEB).
6. COMPACTED GRAVEL OR UNDISTURBED BASE.
7. A DOOR OR OTHER ACCESS SHALL BE PROVIDED.

REFERENCE: OREGON PLUMBING SPECIALTY CODE, CHAPTER 6 WATER SUPPLY AND DISTRIBUTION, 603.4.6.3; 603.4.6.4; 603.3.3; 603.3.4; 603.3.8; 603.4.18.3; TABLE 6-4; TABLE 7-4
 REFERENCE: OREGON ADMINISTRATIVE RULES 333-061-0070 (5) (12) (15); 333-061-0071 (10)

CITY OF EUGENE BUILDING AND PERMITS REVIEW - SR				WATER STANDARDS REGIONAL DESIGN STANDARDS REDUCED PRESSURE BACKFLOW ASSEMBLY 1/2" - 2" BELOW GRADE EUGENE WATER & ELECTRIC BOARD - EUGENE, OREGON				SCALE: NTS			
FUNC	BY	CHK	APP					REV DATE	BY	CHK	APP
DES	SLW		SLW					1-11-17	ESR		
DWN	RS		SLW					REMOVED SUB & RWD			
SPONSOR		SLW						DWG NO		REV	
DATE: 01/01/95				WD6-6.6100		4					
				2 of 2							