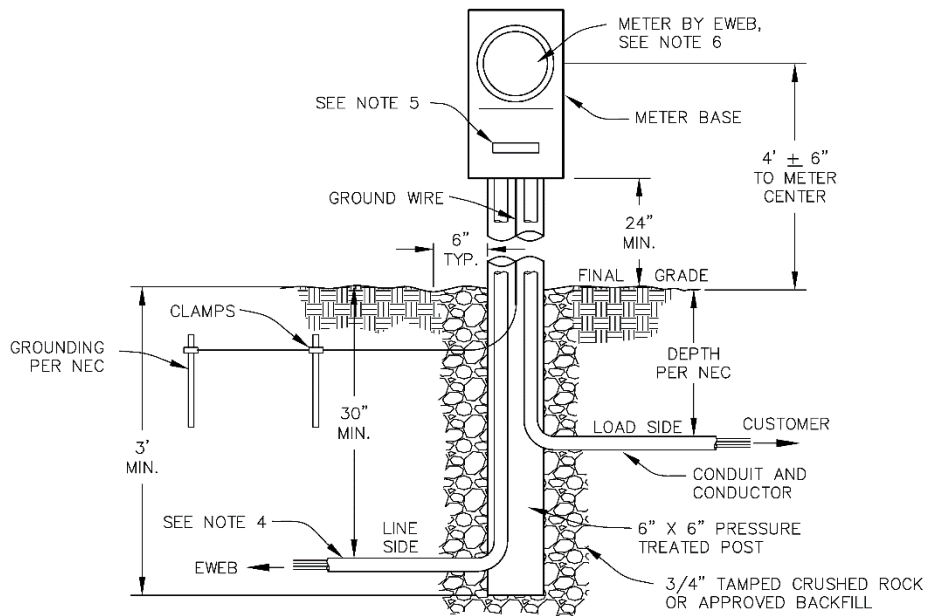


FACTORY BUILT METER PEDESTAL



WOODEN POST METER PEDESTAL

NOTES:

1. CUSTOMER SHALL SUPPLY, INSTALL, MAINTAIN AND OWN EVERYTHING SHOWN, EXCEPT EQUIPMENT NOTED BY EWEB.
2. ELECTRICAL PERMIT MUST BE DISPLAYED ON SERVICE EQUIPMENT.
3. ALL SERVICE EQUIPMENT MUST COMPLY WITH NATIONAL ELECTRIC CODE (NEC).
4. LINE SIDE SERVICE CONDUIT AND CONDUCTORS SHALL BE SUPPLIED AND INSTALLED BY CUSTOMER AND OWNED BY EWEB. CONDUIT SHALL BE SCHEDULE 40 PVC WITH 36" RADIUS ELBOW.
5. CUSTOMER SHALL PERMANENTLY ATTACH ENGRAVED PLAQUE OF ADDRESS ON OUTSIDE OF METER BASE.
6. 3' MIN CLEAR WORKING SPACE REQUIRED IN FRONT OF METER

**ELECTRIC SERVICE REQUIREMENT STANDARD
EUGENE WATER & ELECTRIC BOARD - EUGENE, OREGON**

**PERMANENT UNDERGROUND SERVICE ON CUSTOMER OWNED METER PEDESTAL
320 AMP AND BELOW**

Approved Mar 30, 2022

EC5-B.1200

Page 1 of 2

**REV
2**

1.0 CONSTRUCTION NOTES

1.1. Fiberglass conduit elbows are acceptable to use instead of PVC conduit elbows.

2.0 REFERENCE STANDARDS

A Refer to EC5-B.1000 for Underground Service Conduit and Conductor Requirements.

ELECTRIC SERVICE REQUIREMENT STANDARD
EUGENE WATER & ELECTRIC BOARD - EUGENE, OREGON

PERMANENT UNDERGROUND SERVICE ON CUSTOMER OWNED METER PEDESTAL
320 AMP AND BELOW

Approved Mar 30, 2022

EC5-B.1200

REV
2

Page 2 of 2