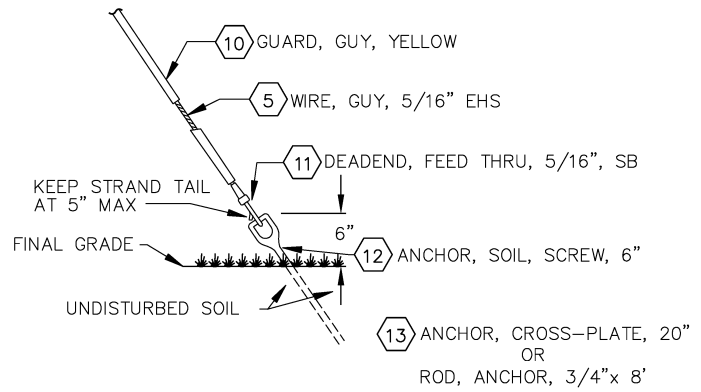
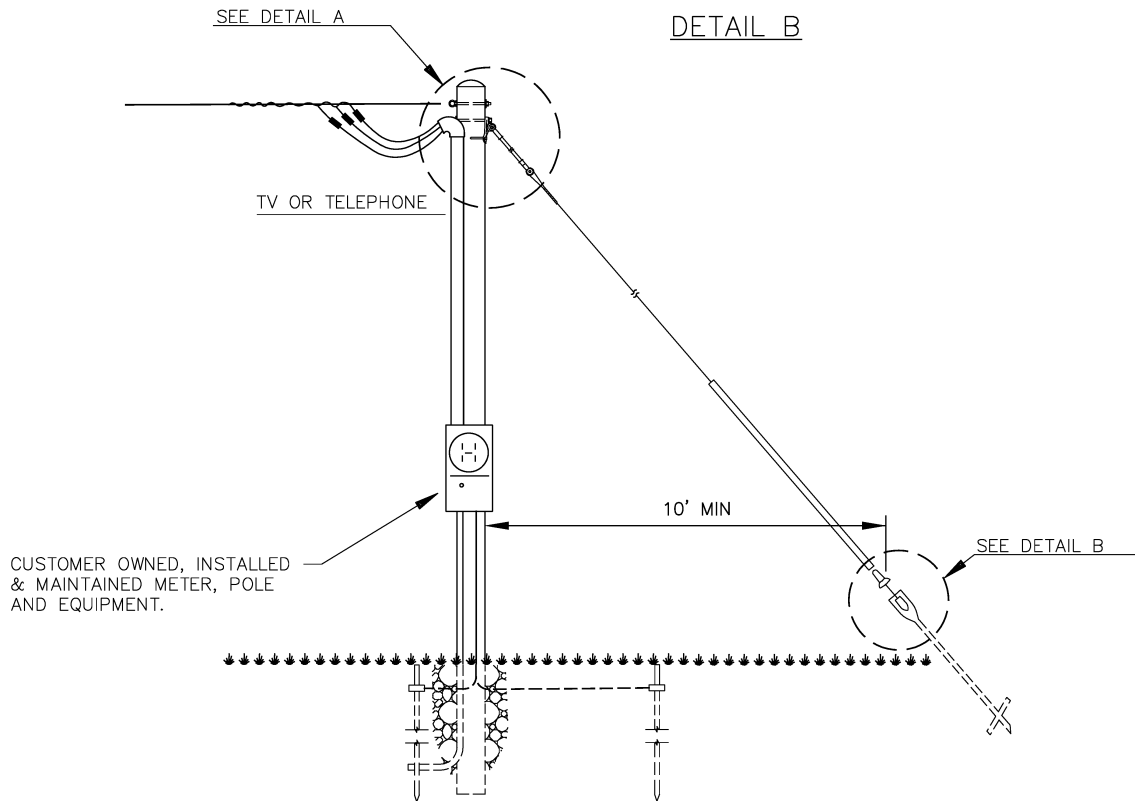


DETAIL A



DETAIL B



EC4-2.1201 - EC4-2.1202

DISTRIBUTION CONSTRUCTION STANDARD
EUGENE WATER & ELECTRIC BOARD - EUGENE, OREGON

SINGLE 5/16" CUSTOMER INSTALLED GUY/ANCHOR KIT

Approved Aug 20, 2019
EC4-2.1200
 Page 1 of 2

REV.
4

ASSEMBLY EC4-2.1201

HAND INSTALLED SCREW ANCHOR/GUY KIT - CUSTOMER INSTALLED

1.	335-0000423	1 EA	BLT SHLD EYE 5/8X10"
2.	462-0001426	1 EA	PLATEPOLE EYE 1-5/16"
3.	470-0001451	1 EA	INSLGUYFIBR GLASS 18"
4.	452-0001284	1 EA	DEPREFORM5/16
5.	462-0001423	35 FT	WIREGUY5/16"EX/HS
6.	327-0000391	1 EA	BLT XARM 3/4X10 GALV
7.	392-0000701	1 EA	WSHR CRV GALV3/43X3
8.	392-0000700	1 EA	WSHR CRV GALV 5/8
9.	392-0000712	1 EA	WSHR DOUBLE COIL 5/8
10.	462-0001435	1 EA	GUARD GUY YELLOW
11.	452-0001270	1 EA	D/E FD THRU 5/16 S
12.	406-0000734	1 EA	ANCHORSOILSCREW6"
14.	388-0000677	1 EA	SCRLAG 1/2 X 4

ASSEMBLY EC4-2.1202

MACHINE ASSISTED PLATE ANCHOR/GUY KIT - CUSTOMER INSTALLED

1.	335-0000423	1 EA	BLT SHLD EYE 5/8X10"
2.	462-0001426	1 EA	PLATEPOLE EYE 1-5/16"
3.	470-0001451	1 EA	INSLGUYFIBR GLASS 18"
4.	452-0001284	1 EA	DEPREFORM5/16
5.	462-0001423	35 FT	WIREGUY5/16"EX/HS
6.	327-0000391	1 EA	BLT XARM 3/4X10 GALV
7.	392-0000701	1 EA	WSHR CRV GALV3/43X3
8.	392-0000700	1 EA	WSHR CRV GALV 5/8
9.	392-0000712	1 EA	WSHR DOUBLE COIL 5/8
10.	462-0001435	1 EA	GUARD GUY YELLOW
11.	452-0001270	1 EA	D/E FD THRU 5/16 S
12.	406-0000731	1 EA	ANCHORCROSSPL20"
13.	406-0000735	1 EA	RODANCHOR3/4"X 8'
14.	388-0000677	1 EA	SCRLAG 1/2 X 4

DESIGN NOTES:

1. Guy lead lengths for service drops larger than 1/0 aluminum triplex shall be calculated on an individual basis by an EWEB Electric Distribution Technician.

REFERENCE STANDARDS:

A) Refer to EC4-2.4200 for 6" Screw Anchor Detail.

B) Refer to EC4-2.4400 for 20" Cross Plate Anchor Detail.

C) Refer to EC5-B.3000 Temporary service requirements.

D) Refer to EC5-B.1200 Permanent Overhead Service on Customer Owned Service Pole - 320 Amp and Below.

DISTRIBUTION CONSTRUCTION STANDARD
EUGENE WATER & ELECTRIC BOARD - EUGENE, OREGON

SINGLE 5/16" CUSTOMER INSTALLED GUY/ANCHOR KIT

Approved Aug 20, 2019

EC4-2.1200

Page 2 of 2

REV.

4