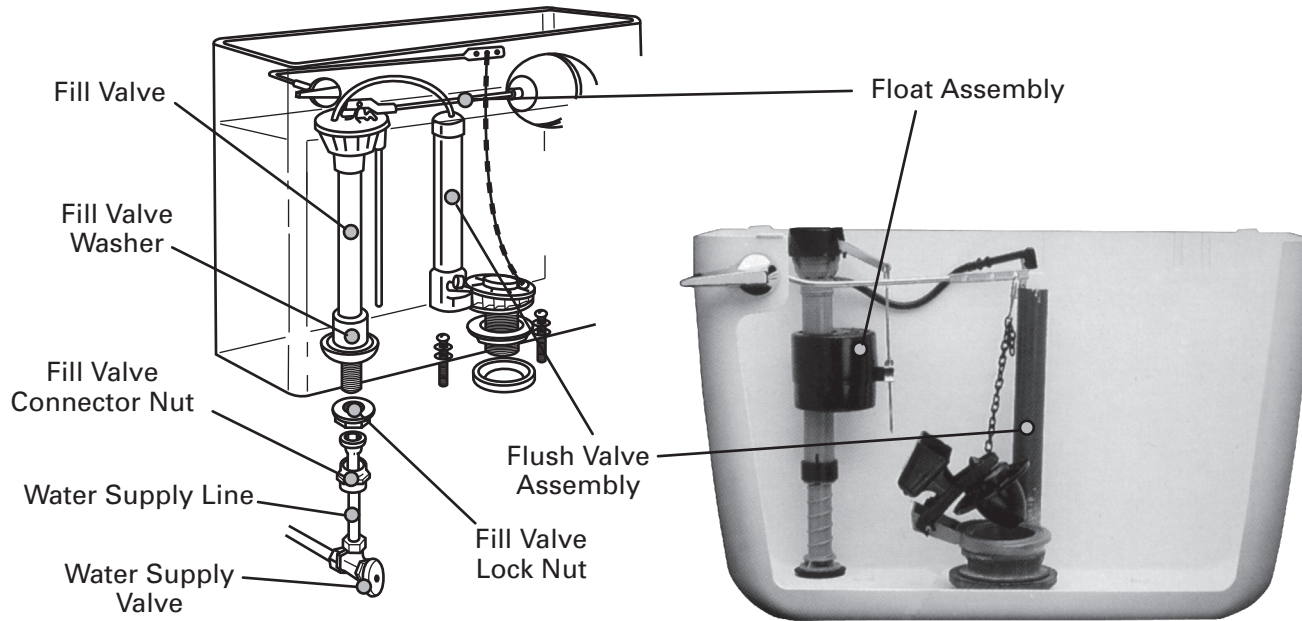


Replacing the fill valve

March is...



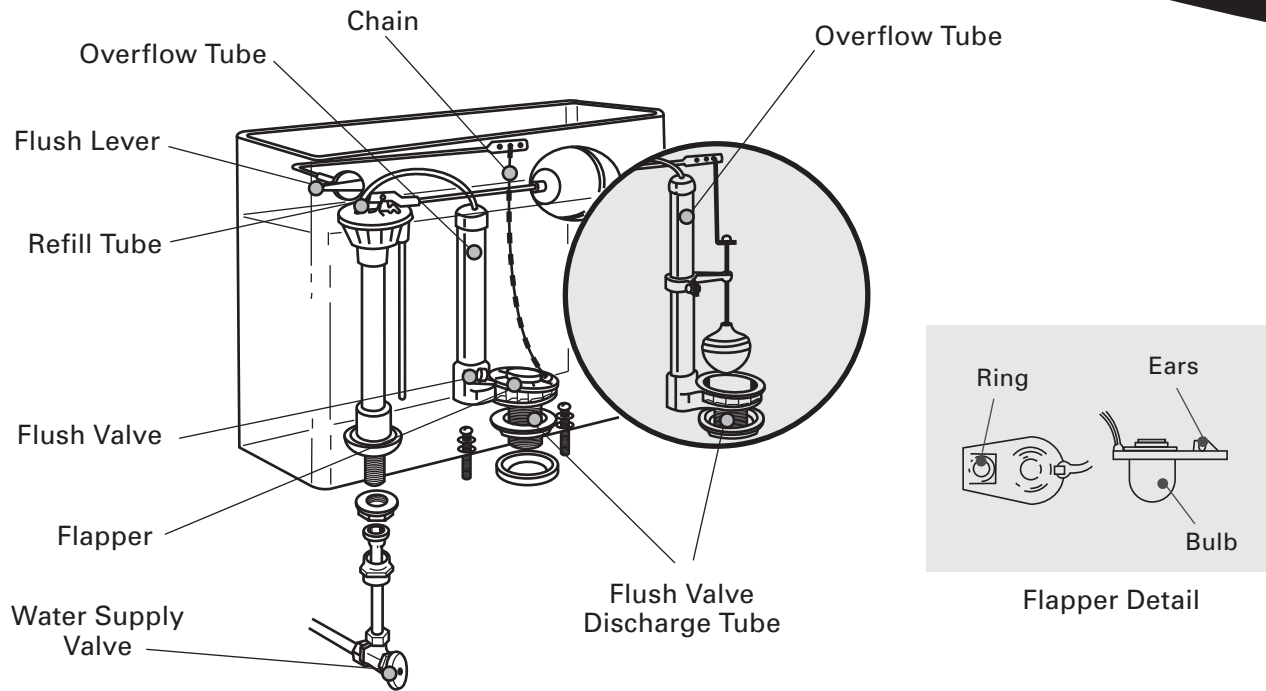
- 1** Turn off water supply valve and flush toilet to empty tank. Sponge out excess water, then remove refill tube from flush valve assembly.
- 2** Unscrew fill valve connector nut and fill valve lock nut. Lift entire fill valve and float assembly from tank.
- 3** Clean tank bottom where fill valve washer seats to be sure of a good seal.
- 4** Insert new fill valve and tighten lock nut. Make sure float assembly moves freely as water level changes.
- 5** Attach water supply line with connector nut. Screw float assembly into place and reattach refill tube.
- 6** Turn water supply valve on. Fill tank and check for leaks. Tighten fill valve lock nut if necessary.


...Fix A Leak Month

Save money by
seeking out the leaks

Replacing the flapper

A few minor repairs can make a major difference!



- 1** Turn off the water supply valve and flush toilet to empty tank. Remove refill tube from overflow tube.
- 2** Remove chain from flush lever. Remove old flapper by sliding it up and off the overflow tube. For new plastic flush valves, bend flapper ears out and off pins on the flush valve.
- 3** Install new flapper by sliding it down the overflow tube until ring touches bottom of tube. Adjust flapper bulb so it centers on the valve opening.
- 4** Reattach chain to flush lever, adjusting length as necessary.
- 5** Turn water supply valve on. Fill tank and check that the flapper works properly.
- 6**  If you are unable to repair your toilet, consider purchasing a new, performance-tested WaterSense-labeled toilet.

A toilet leak can use up to 200 gallons a day. Leaking toilets are usually caused by faulty flush valves and leaking fill valves.

If you suspect a leak, find out which kind of leak you have. Look into the toilet tank and see if water is trickling into the overflow tube. You may want to lower the water level in the toilet tank. If the fill valve cannot adjust to a lower position, follow the instructions on this brochure to replace it. If water is not trickling into the overflow tube, put one teaspoon of food coloring into the tank. Wait 15 minutes and do not flush. If food coloring appears in the toilet bowl, the flapper in your toilet is leaking and should be replaced.

Remember, fixing leaks saves you money on your water bill, and you can save even more if you pay sewer fees.

Tools needed to repair fill valves:
10" adjustable wrench

Toilet leaks: The most common leak in the home and the easiest to fix.