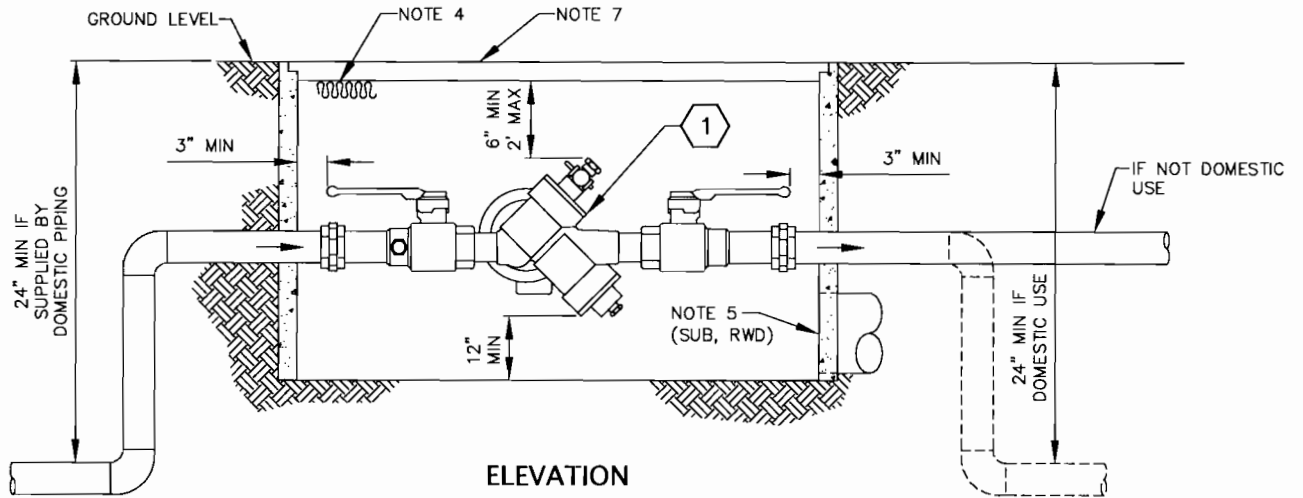


PLAN



ELEVATION

① APPROVED REDUCED PRESSURE BACKFLOW ASSEMBLY INCLUDING FACTORY SUPPLIED SHUT-OFF VALVES: AS LISTED ON THE CURRENTLY APPROVED BACKFLOW PREVENTION ASSEMBLIES LIST SPECIFIED BY OREGON DEPARTMENT OF HUMAN SERVICES.

PLUMBING FROM THE CONNECTION TO POTABLE WATER SUPPLY LINE TO THE ASSEMBLY REQUIRES A PLUMBING PERMIT AND MUST BE INSPECTED BEFORE COVERING.

AN INITIAL TEST PERFORMED BY A STATE CERTIFIED BACKFLOW ASSEMBLY TESTER IS REQUIRED AT THE TIME OF INSTALLATION, AT LEAST ANNUALLY THEREAFTER OR MORE FREQUENTLY AS REQUIRED BY THE WATER SUPPLIER.

COPIES OF COMPLETED TEST REPORT SHALL BE FURNISHED TO:
 THE OWNER
 THE WATER SUPPLIER (EWEB, SUB OR RAINBOW WATER DISTRICT)
 THE BUILDING OFFICIAL

SUB DWG NO FF11DE51 REV 2

CITY OF EUGENE BUILDING AND PERMITS REVIEW *BR*

RWD ENGINEERING REVIEW _____

SUB ENGINEERING REVIEW *DK*

FUNC	BY	CHK	APP
DES	SLW		SLW
DWN	RS		SLW
SPONSOR		SLW	

WATER STANDARDS
 REGIONAL DESIGN STANDARDS
 REDUCED PRESSURE BACKFLOW ASSEMBLY
 1/2" - 2" BELOW GRADE

SCALE: NTS

REV DATE	BY	CHK	APP
05/21/09	NLN		<i>MDA</i>

5 YEAR REVIEW

DWG NO WD6-6.6100 REV 3

1 of 2

EUGENE WATER & ELECTRIC BOARD - EUGENE, OREGON

NOTES:

1. REDUCED PRESSURE BACKFLOW ASSEMBLY SHALL BE INSTALLED IN A LOCATION APPROVED BY EWEB, SUB OR RWD FOR THEIR RESPECTIVE SERVICE AREA, AND SHALL BE ABOVE THE 100-YEAR FLOOD PLAIN.
2. REDUCED PRESSURE BACKFLOW ASSEMBLY (RP) SHALL BE INSTALLED HORIZONTAL AND PLUMB, UNLESS SPECIFICALLY APPROVED FOR VERTICAL INSTALLATION AND,
 - a. IS RECOMMENDED BY THE MANUFACTURER FOR VERTICAL INSTALLATION,
 - b. IS INSTALLED VERTICAL AND PLUMB AND,
 - c. APPROVED IN A VERTICAL ORIENTATION AS LISTED ON THE CURRENTLY APPROVED BACKFLOW PREVENTION ASSEMBLIES LIST SPECIFIED BY OREGON DEPARTMENT OF HUMAN SERVICES.
3. ALL CLEARANCES PICTURED APPLY TO OUTSIDE, IN BUILDING, AND VAULT INSTALLATIONS.
4. RP SHALL BE PROTECTED FROM FREEZING.
 - a. A 2" LAYER OF SPRAY-FOAM INSULATION EVENLY COATING INSIDE THE IRRIGATION BOX LID IS SUFFICIENT.
5. RP INSTALLATION BELOW GROUND SHALL INCLUDE A BORE-SIGHTED DRAIN TO DAYLIGHT CAPABLE OF DRAINING A FULL RELIEF VALVE DISCHARGE PER OPSC TABLE 7-4 (LENGTH OF DRAIN TO BE APPROVED BY EWEB, SUB OR RWD FOR THEIR RESPECTIVE SERVICE AREA).
6. COMPACTED GRAVEL OR UNDISTURBED BASE.
7. A DOOR OR OTHER ACCESS SHALL BE PROVIDED.

REFERENCE: OREGON PLUMBING SPECIALTY CODE, CHAPTER 6 WATER SUPPLY AND DISTRIBUTION, 603.4.6.3; 603.4.6.4; 603.3.3; 603.3.4; 603.3.8; 603.4.18.3; TABLE 6-4; TABLE 7-4
 REFERENCE: OREGON ADMINISTRATIVE RULES 333-061-0070 (5) (12) (15); 333-061-0071 (10)

SUB DWG NO FF11DE51	REV 2
------------------------	----------

CITY OF EUGENE BUILDING AND PERMITS REVIEW SR

RWD ENGINEERING REVIEW _____

SUB ENGINEERING REVIEW DK

FUNC	BY	CHK	APP
DES	SLW		SLW
DWN	RS		SLW
SPONSOR		SLW	

**WATER STANDARDS
 REGIONAL DESIGN STANDARDS
 REDUCED PRESSURE BACKFLOW ASSEMBLY
 1/2" - 2" BELOW GRADE**

EUGENE WATER & ELECTRIC BOARD - EUGENE, OREGON

SCALE: NTS			
REV DATE	BY	CHK	APP
05/21/09	NLN		<u>MSUE</u>
5 YEAR REVIEW			
DWG NO WD6-6.6100			REV 3
2 of 2			

DATE: 01/01/95