

① APPROVED REDUCED PRESSURE BACKFLOW ASSEMBLY INCLUDING FACTORY SUPPLIED SHUT-OFF VALVES: AS LISTED ON THE CURRENTLY APPROVED BACKFLOW PREVENTION ASSEMBLIES LIST SPECIFIED BY OREGON DEPARTMENT OF HUMAN SERVICES.

PLUMBING FROM THE CONNECTION TO POTABLE WATER SUPPLY LINE TO THE ASSEMBLY REQUIRES A PLUMBING PERMIT AND MUST BE INSPECTED BEFORE COVERING.

AN INITIAL TEST PERFORMED BY A STATE CERTIFIED BACKFLOW ASSEMBLY TESTER IS REQUIRED AT THE TIME OF INSTALLATION, AT LEAST ANNUALLY THEREAFTER OR MORE FREQUENTLY AS REQUIRED BY THE WATER SUPPLIER.

COPIES OF COMPLETED TEST REPORT SHALL BE FURNISHED TO:  
 THE OWNER  
 THE WATER SUPPLIER (EWEB, SUB OR RAINBOW WATER DISTRICT)  
 THE BUILDING OFFICIAL

SUB DWG NO FF11DE52	REV 2
CITY OF EUGENE BUILDING AND PERMITS REVIEW <i>SR</i>	RWD ENGINEERING REVIEW _____
SUB ENGINEERING REVIEW <i>DK</i>	

FUNC	BY	CHK	APP
DES	SLW		SLW
DWN	RS		SLW
SPONSOR		SLW	

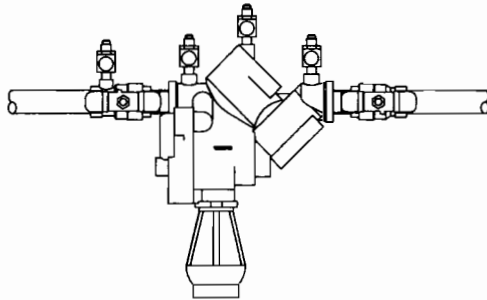
**WATER STANDARDS**  
**REGIONAL DESIGN STANDARDS**  
**REDUCED PRESSURE BACKFLOW ASSEMBLY**  
**1/2" - 2" ABOVE GRADE**  
 EUGENE WATER & ELECTRIC BOARD - EUGENE, OREGON

SCALE: NTS			
REV DATE	BY	CHK	APP
05/21/09	NLN		<i>MDIE</i>
5 YEAR REVIEW			
DWG NO			REV
WD6-6.6200			3
1 of 2			

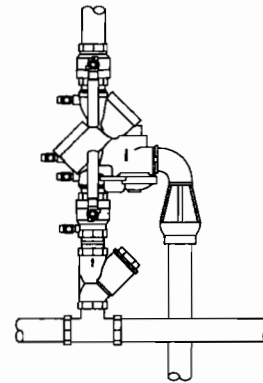
**NOTES:**

1. REDUCED PRESSURE BACKFLOW ASSEMBLY SHALL BE INSTALLED IN A LOCATION APPROVED BY EWEB, SUB OR RWD FOR THEIR RESPECTIVE SERVICE AREA, AND SHALL BE ABOVE THE 100-YEAR FLOOD PLAIN.
2. REDUCED PRESSURE BACKFLOW ASSEMBLY (RP) SHALL BE INSTALLED HORIZONTAL AND PLUMB, UNLESS SPECIFICALLY APPROVED FOR VERTICAL INSTALLATION AND,
  - a. IS RECOMMENDED BY THE MANUFACTURER FOR VERTICAL INSTALLATION,
  - b. IS INSTALLED VERTICAL AND PLUMB AND,
  - c. APPROVED IN A VERTICAL ORIENTATION AS LISTED ON THE CURRENTLY APPROVED BACKFLOW PREVENTION ASSEMBLIES LIST SPECIFIED BY OREGON DEPARTMENT OF HUMAN SERVICES.
3. ALL CLEARANCES PICTURED APPLY TO OUTSIDE, IN BUILDING, AND VERTICAL INSTALLATIONS.
4. RP SHALL BE PROTECTED FROM FREEZING. RP ENCLOSURE SHALL INCLUDE INSULATION AND/OR HEAT SOURCE.
  - a. CLEARANCES MAY BE WAIVED IF ENTIRE ENCLOSURE CAN BE REMOVED FOR TESTING AND MAINTENANCE ACCESS.
5. IF THE RP IS INSTALLED OUTSIDE AN ASSEMBLY ENCLOSURE IS REQUIRED. RP ENCLOSURE SHALL INCLUDE A BORE-SIGHTED DRAIN TO DAYLIGHT CAPABLE OF DRAINING A FULL RELIEF VALVE DISCHARGE PER OPSC TABLE 7-4 (LENGTH OF DRAIN TO BE APPROVED BY EWEB, SUB OR RWD FOR THEIR RESPECTIVE SERVICE AREA).
6. COMPACTED GRAVEL OR UNDISTURBED BASE.
7. A DOOR OR OTHER ACCESS SHALL BE PROVIDED.
8. FOR TESTING AND MAINTENANCE PURPOSES, RP INSTALLED MORE THAN 5' ABOVE THE GROUND OR FLOOR LEVEL SHALL BE PROVIDED WITH A PERMANENT OSHA APPROVED PLATFORM.
9. INDOOR RP INSTALLATION REQUIREMENTS:
  - a. AIR-GAPPED DRAIN MANUFACTURED FOR THE RP MAKE AND MODEL AND INSTALLED IN THE ORIENTATION SPECIFIED BY MANUFACTURER THAT IS CAPABLE OF DRAINING A FULL RELIEF VALVE DISCHARGE; OR
  - b. 2 TIMES DIAMETER OF EFFECTIVE OPENING WHEN NOT AFFECTED BY SIDEWALLS, 3 TIMES THE DIAMETER OF EFFECTIVE OPENING WHEN AFFECTED BY SIDEWALLS.
  - c. FLOOR DRAIN TO SANITARY SEWER CAPABLE OF DRAINING A FULL RELIEF VALVE DISCHARGE PER OPSC TABLE 7-4

HORIZONTAL AIR GAP INSTALLATION



VERTICAL AIR GAP INSTALLATION



REFERENCE: OREGON PLUMBING SPECIALTY CODE, CHAPTER 6 WATER SUPPLY AND DISTRIBUTION, 603.4.6.3; 603.4.6.4; 603.3.3; 603.3.4; 603.3.8; 603.4.18.3; TABLE 7-4  
 REFERENCE: OREGON ADMINISTRATIVE RULES 333-061-0070 (5) (12) (15); 333-061-0071 (10)

<u>SUB DWG NO</u> FF11DE52	<u>REV</u> 2
-------------------------------	-----------------

CITY OF EUGENE BUILDING AND PERMITS REVIEW SR

RWD ENGINEERING REVIEW \_\_\_\_\_

SUB ENGINEERING REVIEW DK

FUNC	BY	CHK	APP
DES	SLW		SLW
DWN	RS		SLW
SPONSOR		SLW	
DATE: 01/01/95			

**WATER STANDARDS**  
**REGIONAL DESIGN STANDARDS**  
**REDUCED PRESSURE BACKFLOW ASSEMBLY**  
**1/2" - 2" ABOVE GRADE**  
**EUGENE WATER & ELECTRIC BOARD - EUGENE, OREGON**

SCALE: NTS			
REV DATE	BY	CHK	APP
05/21/09	NLN		<u>MSAT</u>
5 YEAR REVIEW			
DWG NO			REV
WD6-6.6200			3
2 of 2			