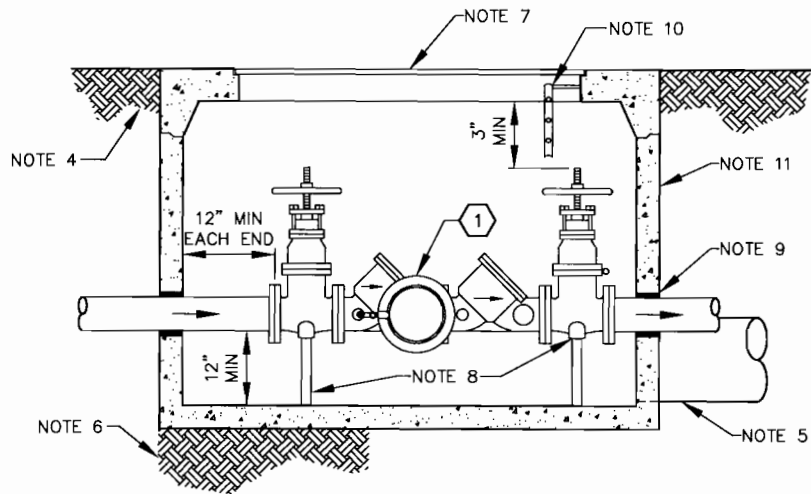


PLAN



ELEVATION

① APPROVED REDUCED PRESSURE BACKFLOW ASSEMBLY INCLUDING FACTORY SUPPLIED SHUT-OFF VALVES: AS LISTED ON THE CURRENTLY APPROVED BACKFLOW PREVENTION ASSEMBLIES LIST SPECIFIED BY OREGON DEPARTMENT OF HUMAN SERVICES.

PLUMBING FROM THE CONNECTION TO POTABLE WATER SUPPLY LINE TO THE ASSEMBLY REQUIRES A PLUMBING PERMIT AND MUST BE INSPECTED BEFORE COVERING.

AN INITIAL TEST PERFORMED BY A STATE CERTIFIED BACKFLOW ASSEMBLY TESTER IS REQUIRED AT THE TIME OF INSTALLATION, AT LEAST ANNUALLY THEREAFTER OR MORE FREQUENTLY AS REQUIRED BY THE WATER SUPPLIER.

COPIES OF COMPLETED TEST REPORT SHALL BE FURNISHED TO:
 THE OWNER
 THE WATER SUPPLIER (EWEB, SUB OR RAINBOW WATER DISTRICT)
 THE BUILDING OFFICIAL

SUB DWG NO FF11DE53 REV 2

CITY OF EUGENE BUILDING AND PERMITS REVIEW *SR*

RWD ENGINEERING REVIEW _____

SUB ENGINEERING REVIEW *DK*

FUNC	BY	CHK	APP
DES	SLW		SLW
DWN	RS		SLW
SPONSOR		SLW	

DATE: 01/01/95

WATER STANDARDS
 REGIONAL DESIGN STANDARDS
 REDUCED PRESSURE BACKFLOW ASSEMBLY
 2 1/2" - 10" BELOW GROUND

EUGENE WATER & ELECTRIC BOARD - EUGENE, OREGON

SCALE: NTS

REV DATE	BY	CHK	APP
05/21/09	NLN		<i>MSH</i>

5 YEAR REVIEW

DWG NO	REV
WD6-6.6400	3

1 of 2

NOTES:

1. REDUCED PRESSURE BACKFLOW ASSEMBLY SHALL BE INSTALLED IN A LOCATION APPROVED BY EWEB, SUB OR RWD FOR THEIR RESPECTIVE SERVICE AREA, AND SHALL BE ABOVE THE 100-YEAR FLOOD PLAIN.
2. REDUCED PRESSURE BACKFLOW ASSEMBLY (RP) SHALL BE INSTALLED HORIZONTAL AND PLUMB, UNLESS SPECIFICALLY APPROVED FOR VERTICAL INSTALLATION AND,
 - a. IS RECOMMENDED BY THE MANUFACTURER FOR VERTICAL INSTALLATION,
 - b. IS INSTALLED VERTICAL AND PLUMB AND,
 - c. APPROVED IN A VERTICAL ORIENTATION AS LISTED ON THE CURRENTLY APPROVED BACKFLOW PREVENTION ASSEMBLIES LIST SPECIFIED BY OREGON DEPARTMENT OF HUMAN SERVICES.
3. ALL CLEARANCES PICTURED APPLY TO OUTSIDE, IN BUILDING, AND VAULT INSTALLATIONS.
4. RP INSTALLED BELOW GROUND IS PROTECTED FROM FREEZING DUE TO LOCAL SOIL TEMPERATURE.
5. RP ENCLOSURE SHALL INCLUDE A BORE-SIGHTED DRAIN TO DAYLIGHT CAPABLE OF DRAINING A FULL RELIEF VALVE DISCHARGE PER OPSC TABLE 7-4 (LENGTH OF DRAIN TO BE APPROVED BY EWEB, SUB OR RWD FOR THEIR RESPECTIVE SERVICE AREA).
6. COMPACTED GRAVEL OR UNDISTURBED BASE.
7. HATCH MINIMUM 3' X 3', SPRING ASSISTED, GALVANIZED OR ALUMINUM DIAMOND PLATE.
 - a. IF VAULT IS IN A WALKWAY, METAL SURFACES SHALL HAVE FACTORY APPLIED NON-SKID COATING.
8. ALL ASSEMBLIES 2 1/2" AND LARGER SHALL HAVE VALVE SUPPORTS.
9. WATERTIGHT GROUT SHALL BE USED TO SEAL OPENINGS.
10. IF VAULT DEPTH EXCEEDS 4', USE OSHA APPROVED FIXED LADDER
11. REINFORCED CONCRETE VAULT (ASTM C-875).

ADDITIONAL CONSIDERATIONS FOR FIRE SERVICES:

1. FIRE SERVICE ASSEMBLIES SHALL BE INSTALLED WITHIN 10' OF EWEB, SUB OR RWD POINT OF CONNECTION (GENERALLY LOCATED AT THE PROPERTY LINE) AND SHALL BE DIRECTLY INLINE WITH SERVICE TAP LOCATION SUCH THAT THE POINT OF CONNECTION IS INLINE WITH ASSEMBLY.
2. ALL PIPING PRECEDING THE DOUBLE CHECK VALVE SHALL BE CONSTRUCTED OF POTABLE APPROVED MATERIAL PER OPSC TABLE 6-4
3. NO OUTLETS OR CONNECTIONS (INCLUDING HYDRANTS) WILL BE PERMITTED ON FIRE SERVICE LINES PRIOR TO BACKFLOW PREVENTION ASSEMBLIES.
4. ABOVE GROUND ENCLOSURES FOR FIRELINES SHALL INCLUDE INSULATION AND/OR HEAT SOURCE DESIGNED TO KEEP ENCLOSURE AT A MINIMUM TEMPERATURE OF 40 F (NFPA 8.16.4.1.3)
5. WHERE NON-FOOD GRADE ANTIFREEZE, CORROSION INHIBITORS, OR OTHER CHEMICALS ARE ADDED TO A FIRE PROTECTION SYSTEM A REDUCED PRESSURE BACKFLOW ASSEMBLY OR REDUCED PRESSURE DETECTOR ASSEMBLY SHALL BE USED.

REFERENCE: OREGON PLUMBING SPECIALTY CODE, CHAPTER 6 WATER SUPPLY AND DISTRIBUTION, 603.4.6.3; 603.4.6.4; 603.3.3; 603.3.4; 603.3.8; 603.4.18.3; TABLE 6-4; TABLE 7-4
 REFERENCE: OREGON ADMINISTRATIVE RULES 333-061-0070 (5) (12) (15); 333-061-0071 (10)

SUB DWG NO FF11DE53	REV 2
CITY OF EUGENE BUILDING AND PERMITS REVIEW <i>SR</i>	RWD ENGINEERING REVIEW _____
SUB ENGINEERING REVIEW <i>DK</i>	

FUNC	BY	CHK	APP
DES	SLW		SLW
DWN	RS		SLW
SPONSOR		SLW	
DATE: 01/01/95			

WATER STANDARDS
REGIONAL DESIGN STANDARDS
REDUCED PRESSURE BACKFLOW ASSEMBLY
2 1/2" - 10" BELOW GROUND
 EUGENE WATER & ELECTRIC BOARD - EUGENE, OREGON

SCALE: NTS			
REV DATE	BY	CHK	APP
05/21/09	NLN		<i>MDJL</i>
5 YEAR REVIEW			
DWG NO			REV
WD6-6.6400			3
2 of 2			