

NOTES:

- SERVICE ENTRANCE CONDUCTORS FROM METER TO CUSTOMER DWELLING MAY BE OVERHEAD OR UNDERGROUND.
- GUYING REQUIRED WHEN ALUMINUM TRIPLEX SERVICE CONDUCTOR IS 1/0 OR SMALLER AND EXCEEDS 100', IS 4/0 OR LARGER AND EXCEEDS 50', OR IF ANY SIZE CONDUCTORS CROSS OVER A MOBILE HOME, BUILDING OR DRIVEWAY.
- POLE REQUIREMENTS:
 - POLE TO BE PRESSURE TREATED CLASS 6 POLE OR NOT LESS THAN A 6" X 6".
 - METER BASE, DISCONNECT SWITCH(ES), AND CONDUITS MUST BE ON ONE SIDE OF THE POLE.
 - POLE SHALL BE TRUCK ACCESSIBLE.
- ALL SERVICE ENTRANCE EQUIPMENT SHALL COMPLY WITH NATIONAL ELECTRICAL CODE (NEC).
- ONLY ONE METER BASE SHALL BE INSTALLED ON POLE.
- CUSTOMER SHALL SUPPLY, INSTALL, MAINTAIN, AND OWN EVERYTHING SHOWN EXCEPT EQUIPMENT NOTED BY EWEB.

**ELECTRIC SERVICE REQUIREMENT STANDARD
EUGENE WATER & ELECTRIC BOARD - EUGENE, OREGON**

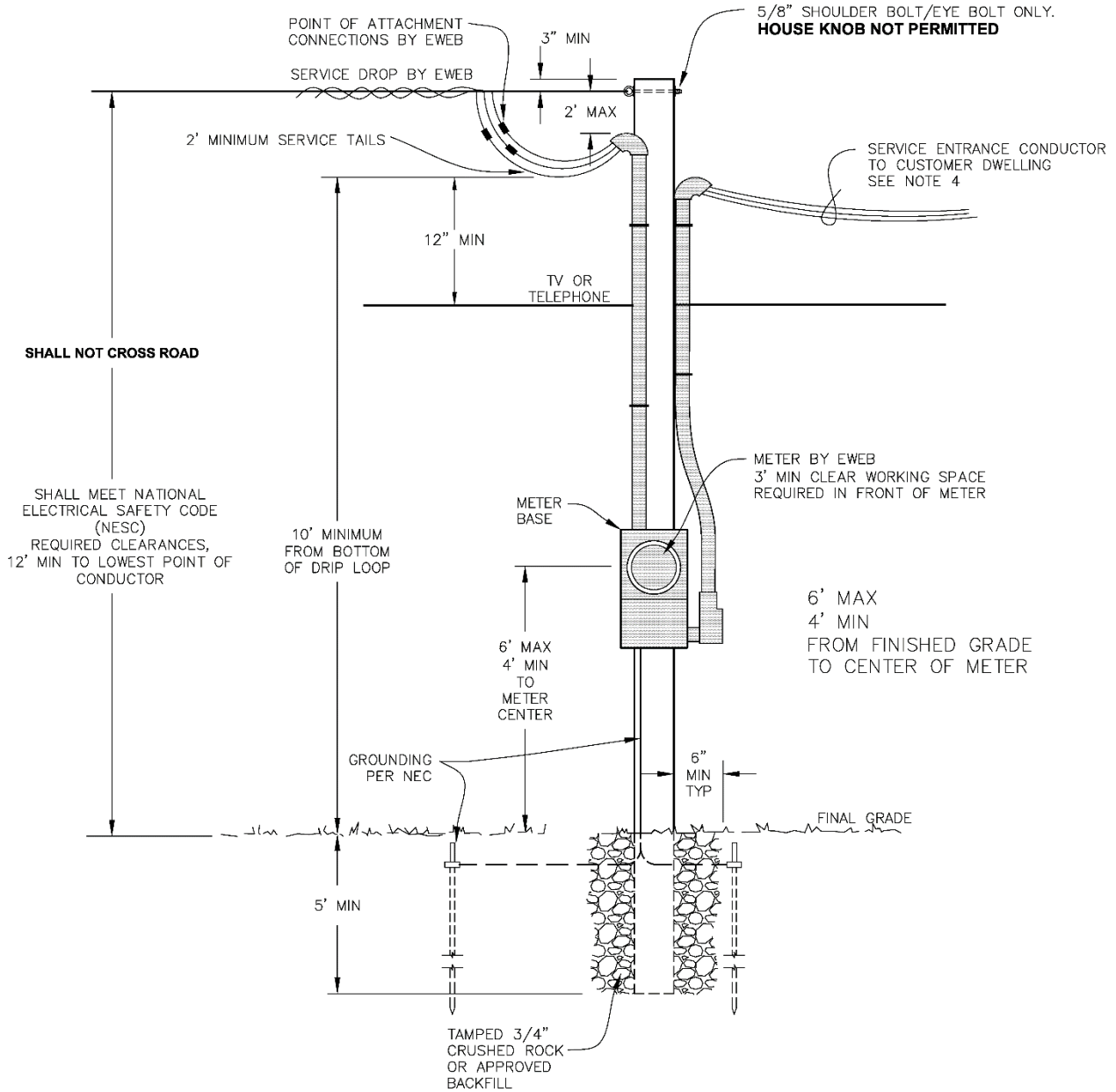
**PERMANENT OVERHEAD SERVICE ON CUSTOMER OWNED SERVICE POLE – 320
AMP AND BELOW**

Approved July 07, 2020

EC5-B.1300

Page 1 of 3

**REV
1**



NOTES:

1. SEE SHEET 1.

ELECTRIC SERVICE REQUIREMENT STANDARD
EUGENE WATER & ELECTRIC BOARD - EUGENE, OREGON

PERMANENT OVERHEAD SERVICE ON CUSTOMER OWNED SERVICE POLE – 320 AMP AND BELOW

Approved July 07, 2020

EC5-B.1300

REV 1

1.0 REFERENCE STANDARDS

- A Refer to EC5-B.3000 for Temporary Service Requirements.
- B Refer to EC4-2.1200 for Customer installed guy/anchor kit.

ELECTRIC SERVICE REQUIREMENT STANDARD
EUGENE WATER & ELECTRIC BOARD - EUGENE, OREGON

PERMANENT OVERHEAD SERVICE ON CUSTOMER OWNED SERVICE POLE – 320
AMP AND BELOW

Approved July 07, 2020

EC5-B.1300

REV
1

Page 3 of 3