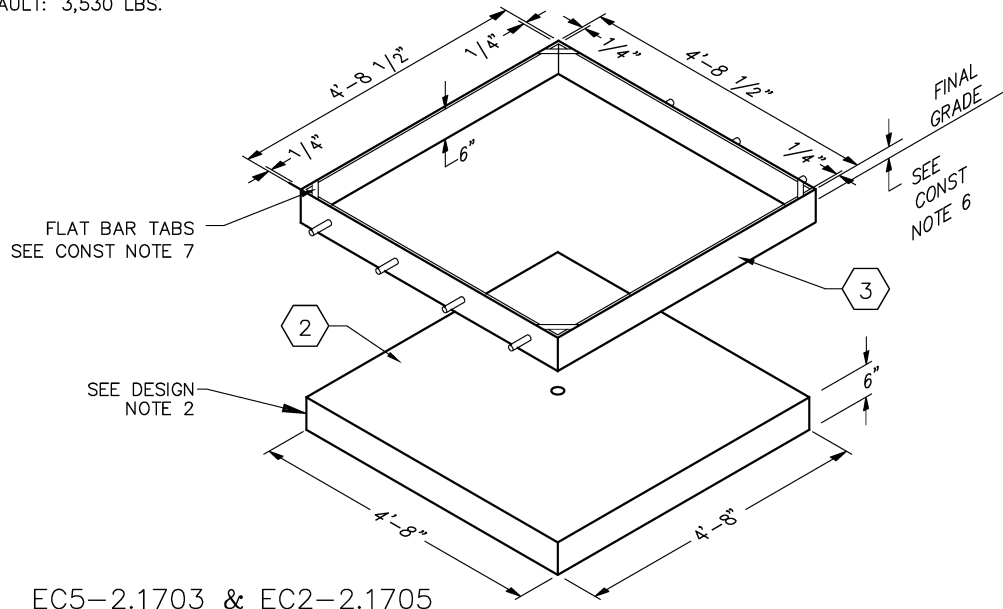


**EC5-2.1702**

WEIGHTS:  
 LID: 1,875 LBS.  
 VAULT: 3,530 LBS.



**EC5-2.1703 & EC2-2.1705**

WEIGHT:  
 LID: 1,636 LBS.

**DISTRIBUTION CONSTRUCTION STANDARD**  
 EUGENE WATER & ELECTRIC BOARD - EUGENE, OREGON

**CONCRETE SOLID LIDS AND INSET RINGS, 5' X 5' X 6" WITH 4' 8" X 4' 8" X 4' 8" X 4' 8" X 6" CONCRETE VAULT**

Approved Jun 08, 2016  
**EC5-2.1700**  
 Page 1 of 3

**REV. 9**

**ASSEMBLY EC5-2.1702**

5' X 5' X 6" SOLID LID WITH SIDEWALK INSET RING AND VAULT

- 1. 348-0000535                    1 EA    VAULT 4'8"X4'8"X4' CONCT
- 2. 348-0000508                    1 EA    LID 5' X 5' X 6" SOLID
- 3. 348-0000545                    1 EA    FRAME SDWLK 5' X 5'

**ASSEMBLY NOTES:**

- 1. 1. Assembly EC5-2.1702 is also used for EWEB Fiber Optic as splice boxes for slack loops and splice closures.
- 2. See design note 2.

**ASSEMBLY EC5-2.1703**

4' 8" X 4' 8" SIDE WALK INSET RING

- 3. 348-0000546                    1 EA    FRAME SDWLK 4'8" X 4'8"

**ASSEMBLY EC5-2.1704**

5' X 5' SIDEWALK INSET RING

- 3. 348-0000545                    1 EA    FRAME SDWLK 5' X 5'

**ASSEMBLY EC5-2.1705**

4' 8" X 4' 8" X 6" SOLID CONCRETE LID - MAINTENANCE ONLY

- 2. 348-0000506                    1 EA    LID 4'8" X 4'8" X 6" SOLID

**ASSEMBLY NOTES:**

- 1. See design note 2.

**ASSEMBLY EC5-2.1706**

5' X 5' X 6" SOLID CONCRETE LID

- 2. 348-0000508                    1 EA    LID 5' X 5' X 6" SOLID

**CONSTRUCTION NOTES:**

- 1. Base for vault shall be 8" (minimum) compacted 3/4" minus crushed rock.
- 2. Conduits shall enter and exit vaults in the positions indicated on the Construction Drawing, level and perpendicular to the vault and shall be grouted to provide a watertight seal with a smooth finish. Grout to be Redline "Speedcrete" or equivalent..
- 3. Conduits shall extend into the box 1 1/2" plus or minus 1/2", cut off square, chamfered, free of any sharp edges and temporarily sealed to prevent rocks or other materials from entering them after mandreling.
- 4. Vaults shall be clean and free of rocks, dirt and debris prior to final inspection.
- 5. Excavated area around all vaults and boxes shall be backfilled to final grade with 3/4" minus crushed rock.
- 6. Vault lid to be set 2" above the surrounding final grade, if not located in a traffic roadway, sidewalk, parking areas, or other pedestrian area that would cause a "trip hazard".
- 7. Install sidewalk inset ring with flat bar tabs as shown on vault lid. EWEB crew to remove flat bar tabs.

**DESIGN NOTES:**

- 1. Designed for H20 "Traffic Rated" wheel loading. These lids can be located in roadways, alleys, driveways, truck parking areas, fire truck access locations and airport vehicle traffic areas. These lids are NOT designed for any size of "Aircraft" wheel loading and SHALL NOT be located in these areas.
- 2. Assembly EC5-2.1702 is required when installing a solid concrete lid and vault in all roadway applications. The 5' x 5' x 6" solid lid provides a better weight bearing surface on the vault over the 4' 8" x 4' 8" x 6" concrete lid now used in maintenance only applications.
- 3. When using this vault as a secondary box, a secondary mole support bracket EC5-9.0504 is required for each secondary mole

**REFERENCE STANDARDS:**

- A) Refer to EC5-2.1100 for 4' 8" x 4' 8" concrete vault assembly.
- B) Refer to EC5-9.0500 for conductor support and secondary mole support brackets.
- C) Refer to EC5-6.3400 for 350 & 500 KCM urd underground secondary moles.
- D) Refer to EC5-6.3500 for 750 KCM urd underground secondary moles.
- E) Refer to EC5-2.0100 for required minimum feeder, primary and secondary service conductor makeup lengths for vaults and secondary boxes.
- F) Refer to ED5-1.0400 for Working Clearances around padmounted equipment.
- G) Refer to EC5-A.0500 for Customer requirements for vegetation management for underground systems.
- H) Refer to ED5-1.6000 for Low voltage design tool.
- I) Refer to ED5-1.7000 for Underground Cable pulling program, Pull planning user guide.
- J) Refer to ED5-1.8000 for Underground Loop circuit requirements.
- K) Refer to GC5-2.4000 for 4' 8" x 4' 8" x 4' concrete vault knockout entrance template for primary, secondary and service conductors.
- L) Refer to Standard FC5-5.0500 for Splice Closure, 288 Fiber Splice Capacity
- M) Refer to Specification ES5-2.1100.11B for EWEB Stock code # 348-0000506.
- N) Refer to Specification ES5-2.1100.13 for EWEB Stock code # 348-0000508.
- O) Refer to Specification ES5-2.1110.03 for EWEB Stock code # 348-0000546 and 348-0000545.